

EMPOWERING TRUE IDENTITY TODAY



IG-AD100[®]

Dual-Eye Iris Camera System



APPLICATIONS

- Illegal Immigration
- Border Control
- e-Passport Programs
- Financial and Banking
- Transportation, Travel and e-Gates
- Law Enforcement Security
- Physical/Restrictive Access
- Time & Attendance
- Voter Registration Applications
- Retail Point-of-Sale (POS) Kiosks

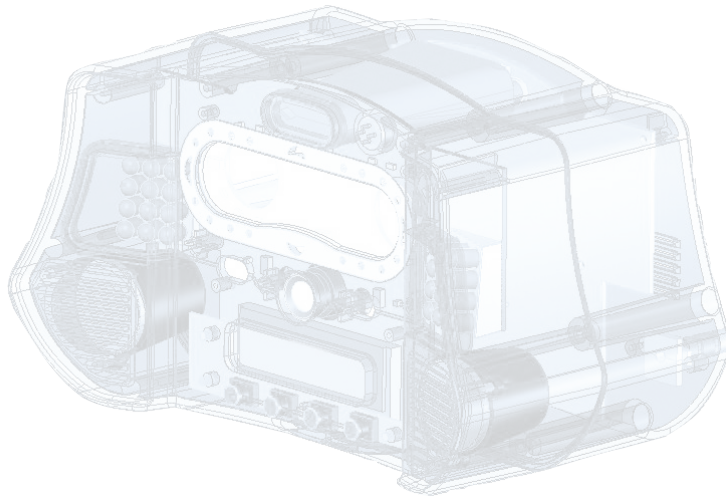
CAMERA FEATURES

- Multi-Modal Iris and Face
- Intuitive and Easy to Use
- Pristine Accuracy
- Superior Image Quality
- Blazingly Fast
- Effortlessly Programmable
- Operationally Proven
- Cost Effective



International
Organization for
Standardization

The most advanced Dual-Eye Iris Recognition Camera in the world



IrisGuard, Inc. provides large-scale iris biometric commercial and government security solutions focused on managing government requirements worldwide.

IrisGuard supports government and private enterprises as well as system integrators in building large-scale iris solutions requiring pristine camera devices, performance, scalability and accuracy.

The IFA NextGen® architecture integrates seamlessly with existing government applications. IrisGuard provides complete end-to-end solutions including the manufacturing of high quality (CE & US certified) iris cameras, the robust and innovative Iris Farm Architecture and all the application software development tools needed to enable integrators to incorporate large-scale national deployments.

IrisGuard has deployed the world's first and largest National Iris Recognition Illegal Immigration solution in the United Arab Emirates and has been commissioned by Cairo Amman Bank (Amman, Jordan) to install the first iris biometric identification system to authenticate banking transactions for its customers.

Learn more at <http://www.irisguard.com>
For videos www.irisguard.tv
Contact us at info1@irisguard.com

**United Kingdom
Research & Development**

Unit 2, Midshires Business Park
Smeaton Close, Aylesbury
Buckinghamshire HP19 8HL
United Kingdom

Work: +44 1296 339 888
Fax: +44 1296 339 878

**The Hashemite
Kingdom of Jordan**

S. Sayeh Street, 8th Circle
Suite 101, Shawwash Bldg
P.O.Box 831004
Amman 11183, Jordan

Work: +962 6 580 00 35
Fax: +962 6 580 00 36

**United Arab Emirates
(UAE)**

Suite 213, Belshalat Building
Kuwait Road
P.O.Box 112441
Dubai, UAE

Work: +971 4 397 3434
Fax: +971 4 397 3434

**Switzerland
Sales & Marketing**

29, Rue Lect
1217 Meyrin 1
Geneva, Switzerland

Work: +41 227 82 5711
Fax: +41 227 82 5713